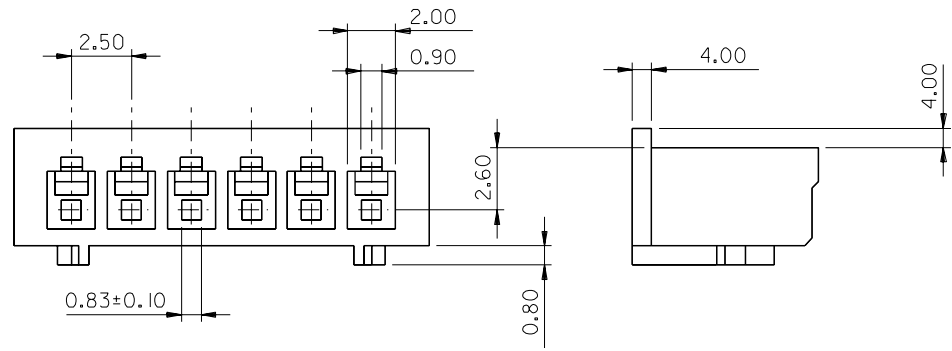
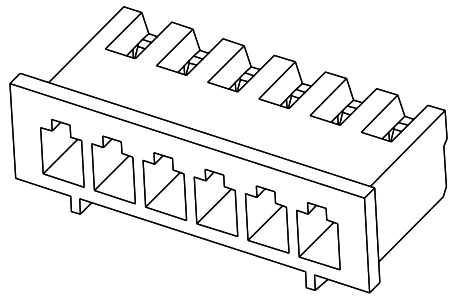
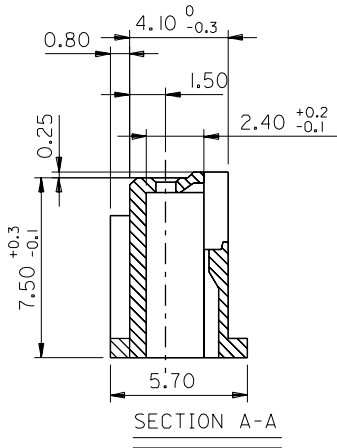
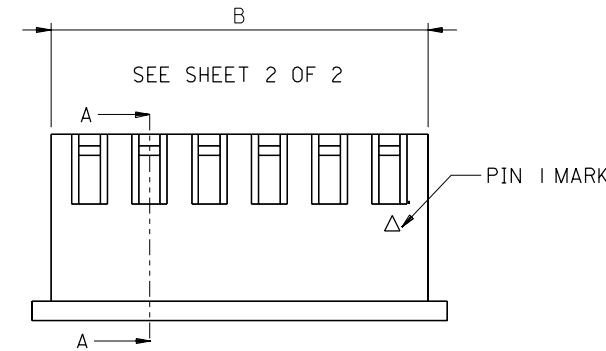


DO NOT SCALE DRAWING

CADFILE NO. S672610LS01 SIMILAR ITEM

EDP NO.

ENG. NO. SD-67261-0001



NOTES:
 1. MATERIAL: NYLON, UL 94V-0
 COLOR: WHITE
 2. APPLICABLE TERMINAL: 67262
 3. PRODUCT SPEC.: PS-67261-003.

2	C
1	C
SHT	REV
REVISE ON CAD ONLY	

UPDATE TITLE DESCRIPTION EC NO. T2000-0009 DRWN: GRACE LEU 00/08/28 CHK: EMILY HSU APPR: MEGA LIN	R.T.M. EC NO. T2000-0193 DRWN: G.WANG 00/03/13 CHK: WILSON CHANG APPR: MEGA LIN	NEW RELEASE EC NO. T2000-0043 DRWN: G.WANG 1999/08/26 CHK: WILSON CHANG APPR: MEGA LIN	QUALITY SYMBOLS MAJOR = 0 CRITICAL = 0	GENERAL TOLERANCES: (UNLESS SPECIFIED)		SCALE 5:1	DESIGN UNITS <input checked="" type="checkbox"/> mm <input type="checkbox"/> INCH	THIRD ANGLE PROJECTION 	DIMENSIONS: <input type="checkbox"/> mm <input type="checkbox"/> INCH <input type="checkbox"/> mm <input type="checkbox"/> ONLY		SHT	REV
				4 PLACES ±0.25 ±.010	3 PLACES ±0.25 ±.010	2 PLACES ±0.25 ±.010	1 PLACE ±0.25 ±.010	DRAWN BY & DATE G.Wang 1999/08/26		TITLE: 2.50 MM PITCH WIRE TO BOARD, HOUSING		REVISE ON CAD ONLY
C	B	A	REV	ANGULAR: +3°		APPROVED BY & DATE		MATERIAL NO. SEE CHART		DRAWING NO. SD-67261-001		
DRAFT WHERE APPLICABLE MUST REMAIN WITHIN DIMENSIONS				CAD FILENAME S672610LS01		SHEET NO. 1 OF 2		MATERIAL NO. SEE CHART		SIZE A3		
THIS DRAWING CONTAINS INFORMATION THAT IS PROPRIETARY TO MOLEX INCORPORATED AND SHOULD NOT BE USED WITHOUT WRITTEN PERMISSION.												

DO NOT SCALE DRAWING

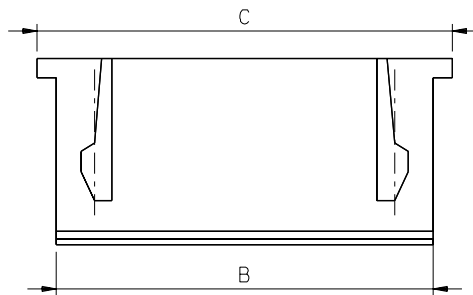
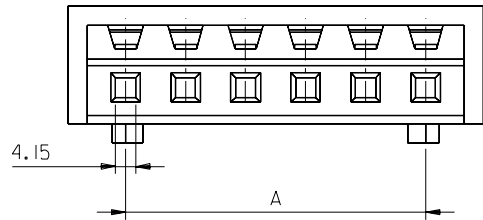
CADFILE NO.:S6726101.S02

SIMILAR ITEM

EDP NO.

ENG. NO SD-67261-0001

8 7 6 5 4 3 2 1



CIRCUITS	A	B	C	CIRCUITS	A	B	C
2	2,5±0,05	5,7±0,20	7,3	9	20,0±0,15	23,2±0,20	24,8±0,20
3	5,0±0,05	8,2±0,20	9,8	10	22,5±0,15	25,7 ^{+0,20} _{-0,30}	27,3 ^{+0,20} _{-0,30}
4	7,5±0,08	10,7±0,20	12,3	11	25,0±0,15	28,4 ^{+0,20} _{-0,30}	29,8 ^{+0,20} _{-0,30}
5	10,0±0,08	13,2±0,20	14,8	12	27,5±0,15	30,7 ^{+0,20} _{-0,30}	32,3 ^{+0,20} _{-0,30}
6	12,5±0,08	15,7±0,20	17,3	13	30,0±0,15	33,2 ^{+0,20} _{-0,30}	34,8 ^{+0,20} _{-0,30}
7	15,0±0,08	18,2±0,20	19,8	14	32,5±0,15	35,7 ^{+0,20} _{-0,30}	37,3 ^{+0,20} _{-0,30}
8	17,5±0,10	20,7±0,20	22,3	15	35,0±0,15	38,2 ^{+0,20} _{-0,30}	39,8 ^{+0,20} _{-0,30}

MATERIAL NO.

67261-**00

PIN NUMBER:
02 ... 15

UPDATE TITLE DESCRIPTION EC NO. T2001-0009 DRWN: GRADE LEU 00/08/28 CHK: EMILY HSU APPR: MEGA LIN		R.T.M. EC NO. T2000-0193 DRWN: G.WANG 00/03/13 CHK: WILSON CHANG APPR: MEGA LIN		NEW RELEASE EC NO. T2000-0043 DRWN: G.WANG 99/08/26 CHK: WILSON CHANG APPR: MEGA LIN		QUALITY SYMBOLS MAJOR = 0 CRITICAL = 0	GENERAL TOLERANCES: (UNLESS SPECIFIED) mm INCH 4 PLACES ±0. ±. 3 PLACES ±0. ±. 2 PLACES ±0.25 ±.010 1 PLACE ±0.25 ±.010	SCALE 5:1 DESIGN UNITS <input checked="" type="checkbox"/> mm <input type="checkbox"/> INCH DRAWN BY & DATE G.Wang 1999/08/26 CHECKED BY & DATE APPROVED BY & DATE	DIMENSIONS: <input type="checkbox"/> mm <input type="checkbox"/> INCH <input type="checkbox"/> mm <input type="checkbox"/> INCH <input type="checkbox"/> mm ONLY	SHT REV REVISE ON CAD ONLY
TITLE: 2.50 MM PITCH WIRE TO BOARD, HOUSING						THIRD ANGLE PROJECTION		MOLEX INCORPORATED		
CAD FILENAME S6726101.S02		MATERIAL NO. SEE CHART		DRAWING NO. SD-67261-001		SHEET NO. 2 OF 2		SIZE A3		
THIS DRAWING CONTAINS INFORMATION THAT IS PROPRIETARY TO MOLEX INCORPORATED AND SHOULD NOT BE USED WITHOUT WRITTEN PERMISSION.										

F

E

D

C

B

A